



IDEAL

TEAMWORK



A range that can be tailored to every user's preferences, IDEAL offers a wide variety of different worktops and desk frames conceived around a clean design.





IDEAL



A furniture range awarded with the NF Office Excellence Certifiée, NF Environnement and GS certifications, recognising its compliance with exacting standards in technical and ecological design.

PATRICE PLUMAIN Quality Coordinator





Height-adjustable desks offer a workstation that adapts to different user morphologies.



Solutions for effective acoustic and visual privacy.



Half-moon extension unit to create an effective desk-end meeting table.



Maximise filing and storage space with metal storage solutions in a matching finish.



WORKTOPS

Counterbalanced 25 mm thick high density melamine worktops. Strip of 2 mm thick ABS edge banding in a matching finish to worktops. Desks are pre-drilled with openings to receive optional cable ports. Desk structure is secured to the worktops by means of screws and metal inserts.



MG
SNOW WHITE



MA
WHITE MAPLE



RI
LIGHT OAK



MC
SALMON BEECH

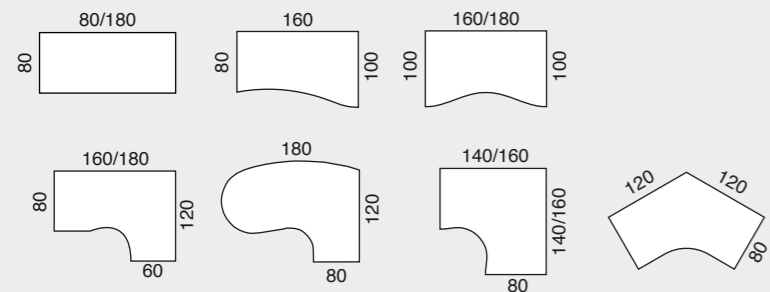


RH
FRENCH APPLE

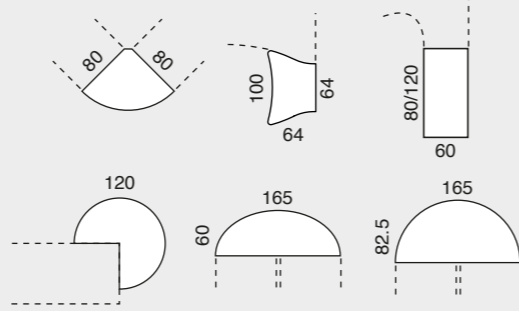


RL
AMBER WALNUT

Worktops



Extension units



METAL LEG STRUCTURES

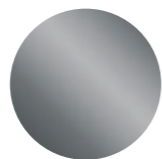
Fixed H. 73.5 cm or height-adjustable (from 62 to 86 cm) metal legs. Adjustable stabilizer feet. Fixed legs composed of a pressed sheet metal base, a straight upright and a fixing plate that secures the whole to the worktop. 3 different structures can be attached to «L»-shaped legs: horizontal crossbeam and metal or melamine modesty panel. Only the crossbeam structure may be attached to «I»-shaped legs.



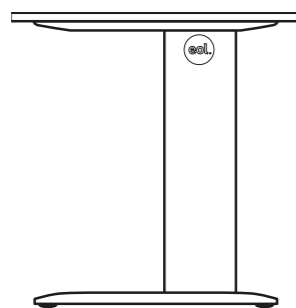
SO
WHITE



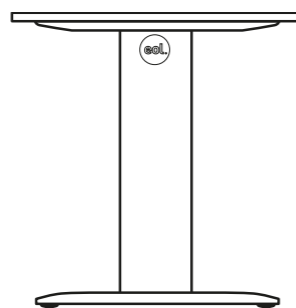
SA
ALUMINIUM GREY



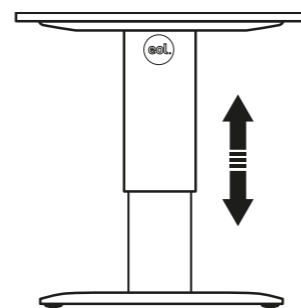
SC
GRAPHITE GREY



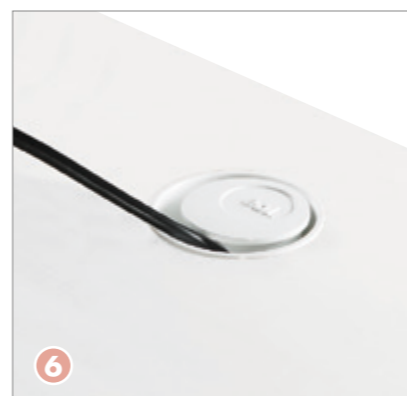
EXCENTRIC **FIXED «L»-SHAPED LEG**



CENTRAL **FIXED «I»-SHAPED LEG**



CENTRAL **ADJUSTABLE «I»-SHAPED LEG**
White SO finish on request



1- Three types of desk structure: structural crossbeam for «I»-shaped centred legs and «L»-shaped excentric legs - structural melamine or metal modesty panels for «L»-shaped excentric legs. **2-3-** Three types of leg design: - «L»-shaped fixed excentric legs - «I»-shaped fixed or height-adjustable centred legs. **4-** Horizontal cable management provided by optional metal cable troughs that can be attached to all 3 structure types; vertical cable holder integrated on the inside of the leg, ABS ducts for the separation of cables. **5-** Solutions for storage and space segregation in a matching finish. **6-** Desks are pre-drilled with openings to receive optional « eol. » ø 80 mm cable ports, to facilitate the channelling of cables from the worktop to the desk structure.



Scan the QR code to view technical specifications sheet



RECTANGULAR DESKS D. 60 CM

I-SHAPED LEGS - CROSSBEAM	FIXED LEGS	£	HEIGHT-ADJUSTABLE LEGS*	£
W. 80 cm	2 312 260 + top + leg	220	2 312 261 + top + leg	284
W. 120 cm	2 312 066 + top + leg	228	2 312 068 + top + leg	292

*White SO on request (allow 5 weeks)



Optional cable port

RECTANGULAR DESKS D. 80 CM

I-SHAPED LEGS - CROSSBEAM	FIXED LEGS	£	HEIGHT-ADJUSTABLE LEGS*	£
W. 80 cm	2 312 015 + top + leg	224	2 312 055 + top + leg	288
W. 120 cm	2 312 016 + top + leg	232	2 312 056 + top + leg	296
W. 140 cm	2 312 017 + top + leg	240	2 312 057 + top + leg	304
W. 160 cm	2 312 018 + top + leg	248	2 312 058 + top + leg	312
W. 180 cm	2 312 019 + top + leg	256	2 312 059 + top + leg	320

*White SO on request (allow 5 weeks)

L-SHAPED FIXED LEGS	METAL CROSSBEAM	£
W. 80 cm	2 312 025 + top + leg	224
W. 120 cm	2 312 026 + top + leg	232
W. 140 cm	2 312 027 + top + leg	240
W. 160 cm	2 312 028 + top + leg	248
W. 180 cm	2 312 029 + top + leg	256

L-SHAPED FIXED LEGS	METAL MODESTY PANELS	£	MELAMINE MODESTY PANELS	£
W. 80 cm	2 312 035 + top + leg	240	2 312 045 + top + leg	256
W. 120 cm	2 312 036 + top + leg	248	2 312 046 + top + leg	264
W. 140 cm	2 312 037 + top + leg	256	2 312 047 + top + leg	272
W. 160 cm	2 312 038 + top + leg	264	2 312 048 + top + leg	280
W. 180 cm	2 312 039 + top + leg	272	2 312 049 + top + leg	288

RECTANGULAR DESKS WITH SUPPORTING PEDESTAL D. 80 CM

I-SHAPED FIXED LEGS - SUPPORTING PEDESTAL	£
W. 140 cm - pedestal on left side	2 312 232 + top + leg 528
W. 140 cm - pedestal on right side	2 312 060 + top + leg 528
W. 160 cm - pedestal on left side	2 312 233 + top + leg 536
W. 160 cm - pedestal on right side	2 312 061 + top + leg 536
W. 180 cm - pedestal on left side	2 312 234 + top + leg 544
W. 180 cm - pedestal on right side	2 312 062 + top + leg 544



CHOICES OF FINISH



6 choices of melamine finish for worktops (+ top)



3 choices of metal leg finish (+ leg)

Scan the QR code to view technical specifications sheet



ASYMMETRICAL WAVE DESKS D. 100/80 CM

I-SHAPED LEGS - CROSSBEAM	FIXED LEGS	£	HEIGHT-ADJUSTABLE LEGS*	£
W. 160 cm - left-hand return	2 312 090 + top + leg	320	2 312 098 + top + leg	384
W. 160 cm - right-hand return	2 312 220 + top + leg	320	2 312 228 + top + leg	384

*White SO on request (allow 5 weeks)



Optional cable port

L-SHAPED FIXED LEGS	METAL CROSSBEAM	£
W. 160 cm - left-hand return	2 312 092 + top + leg	320
W. 160 cm - right-hand return	2 312 222 + top + leg	320

L-SHAPED FIXED LEGS	METAL MODESTY PANELS	£	MELAMINE MODESTY PANELS	£
W. 160 cm - left-hand return	2 312 094 + top + leg	336	2 312 096 + top + leg	352
W. 160 cm - right-hand return	2 312 224 + top + leg	336	2 312 226 + top + leg	352

SYMMETRICAL WAVE DESKS D. 100 CM

I-SHAPED LEGS - CROSSBEAM	FIXED LEGS	£	HEIGHT-ADJUSTABLE LEGS*	£
W. 160 cm	2 312 072 + top + leg	320	2 312 088 + top + leg	384
W. 180 cm	2 312 073 + top + leg	328	2 312 089 + top + leg	392

*White SO on request (allow 5 weeks)

L-SHAPED FIXED LEGS	METAL CROSSBEAM	£
W. 160 cm	2 312 076 + top + leg	320
W. 180 cm	2 312 077 + top + leg	328

L-SHAPED FIXED LEGS	METAL MODESTY PANELS	£	MELAMINE MODESTY PANELS	£
W. 160 cm	2 312 080 + top + leg	336	2 312 084 + top + leg	352
W. 180 cm	2 312 081 + top + leg	344	2 312 085 + top + leg	360

FIXED RETURN FOR WAVE DESKS D. 64 CM

Can be positioned on either the left or right-hand side of symmetrical wave desks and on the wave side of asymmetrical desks.

W. 100 CM	FIXED LEGS	£	HEIGHT-ADJUSTABLE LEGS	£
On tubular support leg ø 60 mm	2 312 099 + top + leg	176	2 312 100 + top + leg	192
On «I»-shaped leg	2 312 101 + top + leg	216	2 312 103 + top + leg	248

*White SO on request (allow 5 weeks)

OPTIONAL EXTRAS

① CABLE PORTS

Positioned on the left and/or right outer edges of pre-drilled worktops. Choice of finish: white OG, aluminium grey OI or graphite grey OK (+ col.)

For rectangular worktops W. 80 cm - single cable port:

Cable port	£
6 478 012 + col.	4

For rectangular desks W. 120/180 cm, asymmetrical compact desks and desk-end meeting extensions, wave desks - set of 2

£	
6 478 013 + col.	7

For symmetrical compact desks : worktops can be fitted with up to 3 cable ports.

② HORIZONTAL CABLE TROUGHS

Can be fitted to all 3 desk structure types, on either user or visitor side.

FOR WORKTOPS:	£
W. 120 cm cable trough W. 90 cm	2 312 251 + leg 30
W. 140 cm cable trough W. 110 cm	2 312 252 + leg 33
W. 160 cm cable trough W. 130 cm	2 312 253 + leg 35
W. 180 cm cable trough W. 150 cm	2 312 254 + leg 38

③ VERTICAL CABLE HOLDER

Circular section metal column D. 70 mm in a matching finish to leg. Attaches to underside of desktop.

Fixed cable column	£
6 478 078 + fin.	42



Modesty panels see page 145.

90° ASYMMETRICAL COMPACT DESKS - D. 120 X RT. 60 CM

I-SHAPED LEGS - CROSSBEAM	FIXED LEGS	£	HEIGHT-ADJUSTABLE LEGS*	£
W. 160 cm - left-hand return	2 312 104 + top + leg	304	2 312 136 + top + leg	368
W. 160 cm - right-hand return	2 312 105 + top + leg	304	2 312 137 + top + leg	368
W. 180 cm - left-hand return	2 312 106 + top + leg	312	2 312 138 + top + leg	376
W. 180 cm - right-hand return	2 312 107 + top + leg	312	2 312 139 + top + leg	376

L-SHAPED FIXED LEGS	METAL CROSSBEAM	£
W. 160 cm - left-hand return	2 312 112 + top + leg	304
W. 160 cm - right-hand return	2 312 113 + top + leg	304
W. 180 cm - left-hand return	2 312 114 + top + leg	312
W. 180 cm - right-hand return	2 312 115 + top + leg	312

L-SHAPED FIXED LEGS	METAL MODESTY PANELS	MELAMINE MODESTY PANELS	£
W. 160 cm - left-hand return	2 312 120 + top + leg	2 312 128 + top + leg	336
W. 160 cm - right-hand return	2 312 121 + top + leg	2 312 129 + top + leg	336
W. 180 cm - left-hand return	2 312 122 + top + leg	2 312 130 + top + leg	344
W. 180 cm - right-hand return	2 312 123 + top + leg	2 312 131 + top + leg	344

90° ASYMMETRICAL COMPACT DESK SUPPORTING PEDESTAL - D. 120 X RT. 60 CM

I-SHAPED FIXED LEGS	£
W. 160 cm - left-hand return	2 312 140 + top + leg 592
W. 160 cm - right-hand return	2 312 141 + top + leg 592
W. 180 cm - left-hand return	2 312 142 + top + leg 600
W. 180 cm - right-hand return	2 312 143 + top + leg 600

TUBULAR SUPPORT LEG

Designed to be placed beneath the return of 90° asymmetrical compact desks. For configurations not incorporating a desk height metal pedestal positioned in line with the return.

	FIXED LEG	£	HEIGHT-ADJUSTABLE LEG	£
Tubular support leg ø 60 mm	2 312 070 + leg	21	2 312 071 + leg	46

CURVED 90° COMPACT DESK - D. 135 X RT. 60 CM

I-SHAPED LEGS - CROSSBEAM	FIXED LEGS	£	HEIGHT-ADJUSTABLE LEGS*	£
W. 180 cm - left-hand return	2 312 148 + top + leg	376	2 312 164 + top + leg	440
W. 180 cm - right-hand return	2 312 149 + top + leg	376	2 312 165 + top + leg	440

L-SHAPED FIXED LEGS	METAL CROSSBEAM	£
W. 180 cm - left-hand return	2 312 152 + top + leg	376
W. 180 cm - right-hand return	2 312 153 + top + leg	376

L-SHAPED FIXED LEGS	METAL MODESTY PANELS	MELAMINE MODESTY PANELS	£
W. 180 cm - left-hand return	2 312 156 + top + leg	2 312 160 + top + leg	408
W. 180 cm - right-hand return	2 312 157 + top + leg	2 312 161 + top + leg	408

CHOICES OF FINISH



6 choices of melamine finish for worktops (+ top)



3 choices of metal leg finish (+ leg)

Scan the QR code to view technical specifications sheet



Optional cable port



90° SYMMETRICAL COMPACT DESKS

I-SHAPED FIXED LEGS - CROSSBEAM	ASYMMETRICAL STRUCTURE	£
W. 140 x W. 140 x Rt 80 cm - left-hand return	2 312 166 + top + leg	440
W. 140 x W. 140 x Rt 80 cm - right-hand return	2 312 167 + top + leg	440
W. 160 x W. 160 x Rt 80 cm - left-hand return	2 312 168 + top + leg	456
W. 160 x W. 160 x Rt 80 cm - right-hand return	2 312 169 + top + leg	456

120° SYMMETRICAL COMPACT DESK

I-SHAPED FIXED LEGS - CROSSBEAM	SYMMETRICAL STRUCTURE	£
W. 120 x W. 120 x Rt 80 cm	2 312 190 + top + leg	480

RECTANGULAR FIXED RETURNS - D. 60 CM

Can be placed on the left or right-hand side of rectangular desks and on the return side D. 60 cm of asymmetrical compact desks.

I-SHAPED LEGS	FIXED LEGS	£	HEIGHT-ADJUSTABLE LEGS*	£
W. 80 cm	2 312 262 + top + leg	192	2 312 263 + top + leg	216
W. 120 cm	2 312 197 + top + leg	200	2 312 199 + top + leg	224

WITH SUPPORTING PEDESTAL	DESK HEIGHT W. 42 CM	£
W. 80 cm	2 312 264 + top + leg	408
W. 120 cm	2 312 200 + top + leg	416

90° CORNER LINK UNIT

80 x 80 cm	2 312 069 + top	148
------------	-----------------	------------

TUBULAR SUPPORT LEG

For loads in excess of 20kg.

	FIXED LEGS	£	HEIGHT-ADJUSTABLE LEGS	£
Tubular leg ø 60 mm	2 312 070 + leg	21	2 312 071 + leg	46

HALF-MOON TABLES

Compatible with all 80 cm depth worktops. Circular-section tubular leg(s) ø 60 mm on adjustable stabilizer foot.

	FIXED LEGS	£	HEIGHT-ADJUSTABLE LEGS	£
W. 165 x D. 60 cm	2 312 193 + top + leg	240	2 312 195 + top + leg	264
W. 165 x D. 82.5 cm	2 312 194 + top + leg	248	2 312 196 + top + leg	272

MEETING EXTENSION UNIT - 3/4 CIRCULAR

Can be positioned on either the left or right-hand side of rectangular desks and on visitor side of asymmetrical compact desks.

	FIXED LEGS	£	HEIGHT-ADJUSTABLE LEGS	£
Ø 120 cm	2 312 202 + top + leg	224	2 312 204 + top + leg	272

OPTIONAL EXTRAS

METAL MODESTY PANELS

Attach to models incorporating a crossbeam structure. In matching finish to legs. Attaches to underside of worktop.

FOR WORKTOPS:	£
W. 120 cm	2 312 209 + leg 48
W. 140 cm	2 312 210 + leg 52
W. 160 cm	2 312 211 + leg 56
W. 180 cm	2 312 212 + leg 60

CABLE MANAGEMENT

Cable port see page 143.



Vertical and horizontal cable management solutions see page 143.



Optional cable port

SYMMETRICAL STRUCTURE	£
2 312 178 + top + leg	472
2 312 180 + top + leg	488